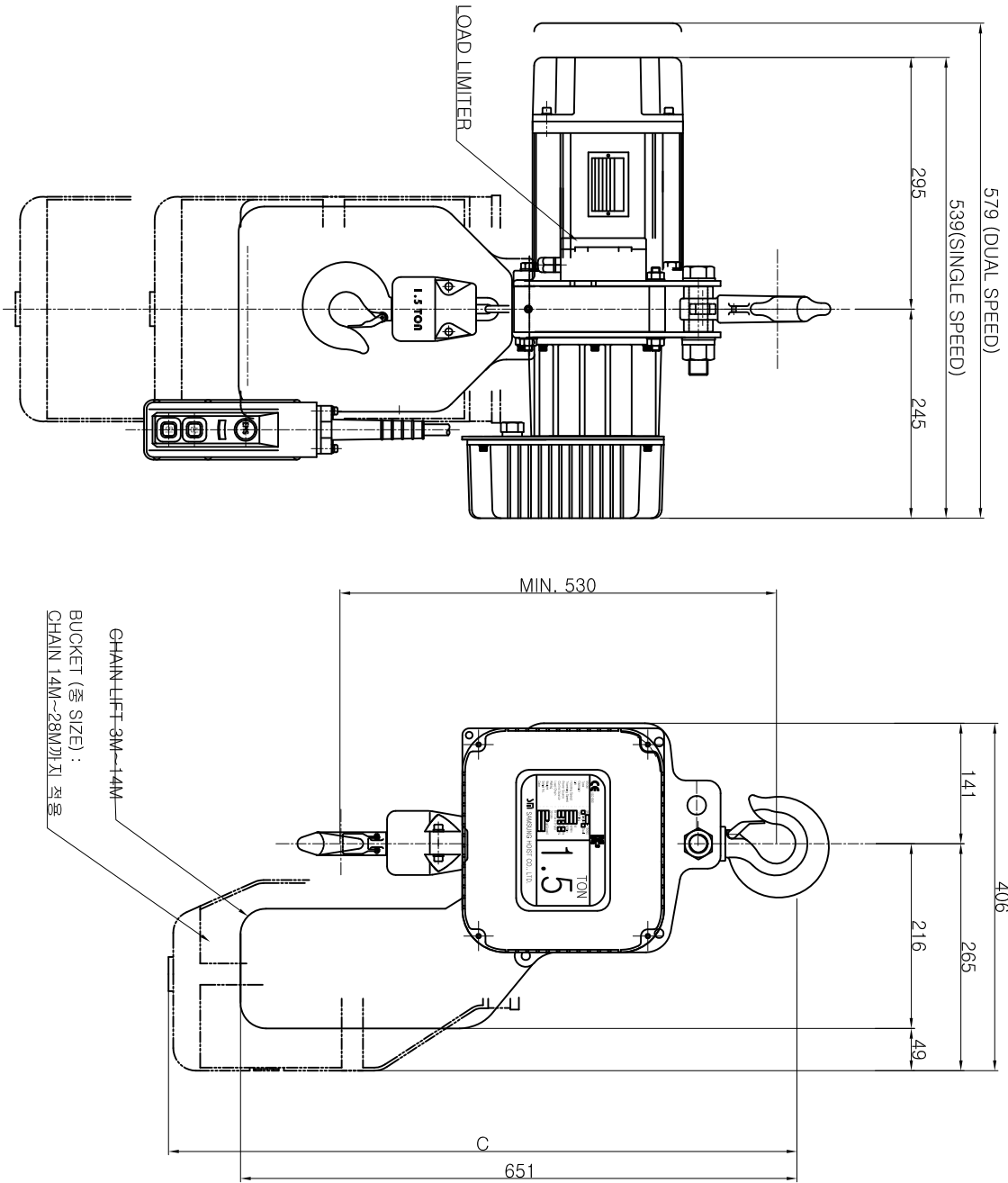


REV	DATE	REASON FOR REVISION	CHECKER BY	APPROD BY
△				



SPECIFICATION		
HOISTING LOAD	1.5 TON	
TESTING LOAD	1.875 TON	
LIFTING HEIGHT	Min. 3 M ~ Max 45 M	
HOISTING	SPEED	8.0 M/MIN
	MOTOR	2.5 Kw x 4 P
	SPEED	8.0 / 4.0 M/MIN
DUAL MOTOR	2.5 / 1.25 Kw x 4/8 P	
POWER SUPPLY	3Ø - 220~575V -60HZ	
CONTROL VOLTAGE	1Ø -48V, 110V -60HZ	
OPERATING METHOD	PUSH BUTTON TYPE	
LOAD CHAIN SPEC.	Ø8.0 x 24P x 1 FALL	
RATING	30 MIN.	
NET WEIGHT	APPROX Min.71KG~Max.109KG	

DIMENSIONS	
구분	양정(LIFT)
기호	3M~13M 13M~28M 28M~45M
C	650 740 940

NO.	DESCRIPTION	MATL.	SIZE	QTY	REMARKS
DESIGNED	CHECKED				
REVISION	APPROVED				
	진 승 권				
	김 노 차				
DATE	2010.08.27				

SCO-1500



TITLE OF PROJECT 1.5 TON SUSPENSION TYPE
ELEC. CHAIN HOIST GENERAL ASSEMBLY

SCO-1500